

RoughDeck® BDP Barrel Scale – Standard Model

FLOOR SCALES



STANDARD FEATURES

- Live siderails
- Top access foot adjustment holes (holes are 1/2-13 threaded for lifting scale)
- Four adjustable stainless steel SUREFOOT™ support feet
- 30 in x 31 in or 36 in x 37 in weighing surface (not including side rails)
- TuffSeal® JB4SS stainless steel, NEMA 4x junction box with signal trim card
- Three-year limited warranty
- Mild steel models
- Treaded top plate
- Alloy steel load cells
- Stainless steel models
- Smooth top plate
- Stainless steel or stainless steel with welded-seal (IP67) load cells

APPROVALS



Measurement
Canada
Approved



SPECIFICATIONS

End Load Capacity:

- 1000 lb: 100% full scale
- 2500 lb: 80% full scale

Cable Length:

10 ft (3 m)

Warranty:

Three-year limited warranty

Approvals:

NTEP CC 03-060, Class III 2,500d
Measurement Canada AM-5578
(500 kg) Class III 2,500d
(1000 kg) Class III 2,000d

ROUGHDECK BDP W/ACCESS RAMP DIMENSIONS

30 in x 31 in models

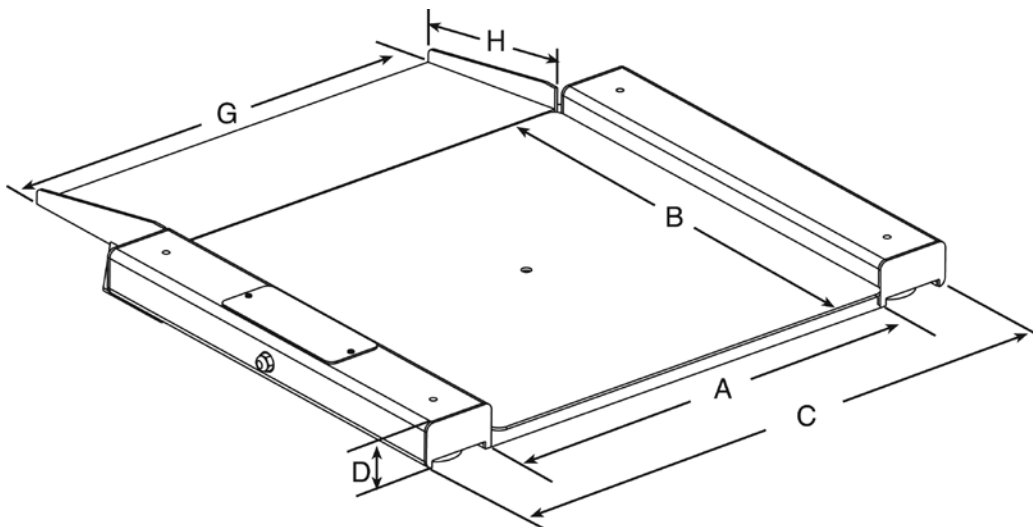
A	30.0 in (762 mm)	D	3.31 in (84.1 mm)
B	31.0 in (787.4 mm)	G	30.0 in (762 mm)
C	40.0 in (1016 mm)	H	12.0 in (304.8 mm)

36 in x 37 in models

A	36.0 in (914.4 mm)	D	3.31 in (84.1 mm)
B	37.0 in (939.8 mm)	G	36.0 in (914.4 mm)
C	46.0 in (1168.4 mm)	H	12.0 in (304.8 mm)

Distance from floor to top of center weighing surface: 1.625 in (41.2 mm)

Distance from floor to bottom of weighing surface: 0.31 in (7.87 mm)



RoughDeck® BDP Barrel Scale – Standard Model**PART NUMBER/PRICE**

PART #	SIZE (W X L)	CAPACITY (CANADIAN APPROVED CAPACITIES)	EST. SHIP WEIGHT	PRICE
NTEP Certified				
Mild Steel				
77962	30 in x 31 in	1,000 lb (500 kg)	205 lb	Consult
77963	30 in x 31 in	2,500 lb (1,000 kg)	205 lb	Consult
77964	36 in x 37 in	1,000 lb (500 kg)	265 lb	Consult
77965	36 in x 37 in	2,500 lb (1,000 kg)	265 lb	Consult
Stainless Steel				
77967	30 in x 31 in	1,000 lb (500 kg)	205 lb	Consult
77968	30 in x 31 in	2,500 lb (1,000 kg)	205 lb	Consult
77969	36 in x 37 in	1,000 lb (500 kg)	265 lb	Consult
77970	36 in x 37 in	2,500 lb (1,000 kg)	265 lb	Consult
Stainless Steel with Stainless Steel Welded-Seal (IP67) Load Cells				
77971	30 in x 31 in	1,000 lb (500 kg)	205 lb	Consult
77972	30 in x 31 in	2,500 lb (1,000 kg)	205 lb	Consult
77973	36 in x 37 in	1,000 lb (500 kg)	265 lb	Consult
77974	36 in x 37 in	2,500 lb (1,000 kg)	265 lb	Consult
Access Ramps				
Mild Steel				
78011	30 in x 12 in (sold individually)		25 lb	Consult
78012	36 in x 12 in (sold individually)		30 lb	Consult
Stainless Steel				
78013	30 in x 12 in (sold individually)		25 lb	Consult
78014	36 in x 12 in (sold individually)		30 lb	Consult

OPTIONS/ACCESSORIES

PART #	DESCRIPTION	PRICE
18777	Floor anchor plates, mild steel, set of two (for use with static scale, without ramps)	Consult
18778	Floor anchor plates, stainless steel, set of two (for use with static scale, without ramps)	Consult
19352	Floor stand for indicator, 36.3 in high, mild steel (for use with static scale)	Consult
28740	Floor stand for indicator, 36.3 in high, stainless steel (for use with static scale)	Consult

RoughDeck® BDP Barrel Scale – Standard Model with Portability Option

FLOOR SCALES



Scale shown with optional portability kit and IQ plus® 390-DC indicator

STANDARD FEATURES

- Live siderails
- Top access foot adjustment holes
- Holes are 1/2-13 threaded for lifting scale
- Four adjustable stainless steel SUREFOOT™ support feet
- 30 in x 31 in or 36 in x 37 in weighing surface (not including side rails)
- TuffSeal® JB4SS Stainless Steel, NEMA 4X junction box with signal trim card
- Mild steel models
- Treaded top plate
- Alloy steel load cells
- Stainless steel models
- Smooth top plate
- Stainless steel or stainless steel with welded-seal (IP67) load cells

SPECIFICATIONS

End Load Capacity:

- 1,000 lb: 100% full scale
- 2500 lb: 80% full scale

Cable Length:

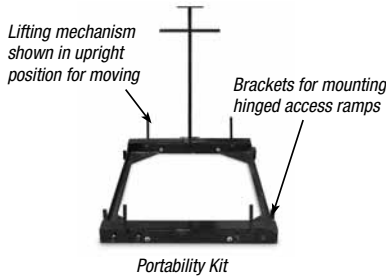
10 ft (3 m)

Warranty:

Three-year limited warranty

Approvals:

NTEP CC 03-060, Class III 2,500d
Measurement Canada AM-5578
(500 kg) Class III 2,500d
(1000 kg) Class III 2,000d



DIMENSIONS W/PORTABILITY FRAME AND HINGED ACCESS RAMPS

30 in x 31 in models			
A	30.0 in (762 mm)	I	49.25 in (1250.9 mm)
B	31.0 in (787.4 mm)	J	52.25 in (1327.1 mm)
D	3.66 in (92.9 mm)	L	40.37 in (1025.4 mm)
G	29.25 in (742.9 mm)	M	12.0 in (304.8 mm)
H	3.25 in (82.5 mm)		
36 in x 37 in models			
A	36.0 in (914.4 mm)	I	55.25 in (1403.4 mm)
B	37.0 in (939.8 mm)	J	58.25 in (1479.5 mm)
D	3.66 in (92.9 mm)	L	40.37 in (1025.4 mm)
G	35.25 in (895.3 mm)	M	12.0 in (304.8 mm)
H	3.25 in (82.5 mm)		

APPROVALS

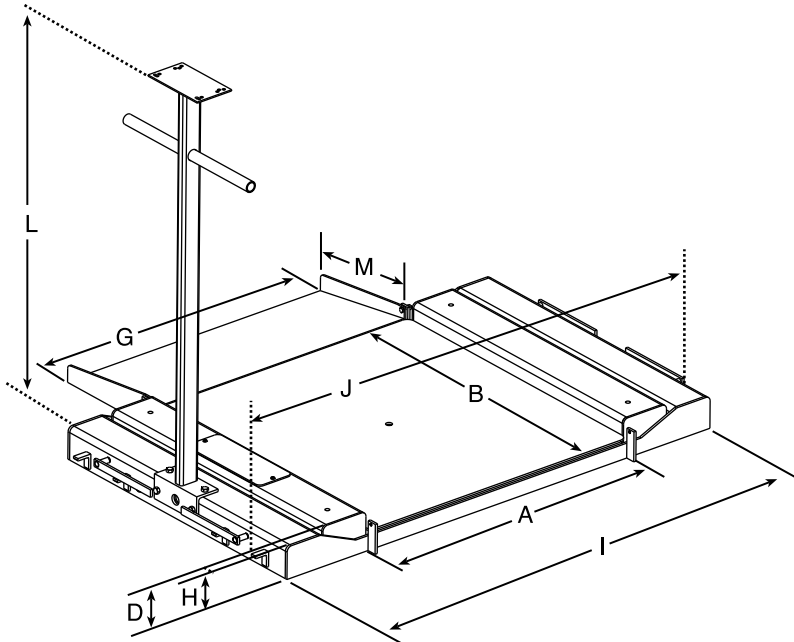


Measurement
Canada
Approved



Distance from floor to top of center weighing surface: 1.94 in (49.2 mm)

Distance from floor to bottom of weighing surface: 0.62 in (15.7 mm)



RoughDeck® BDP

Barrel Scale – Standard Model with Portability Option

PART NUMBER/PRICE

PART #	SIZE (W X L)	CAPACITY (CANADIAN APPROVED CAPACITIES)	EST. SHIP WEIGHT	PRICE
BDP Scale				
Mild Steel				
77962	30 in x 31 in	1,000 lb (500 kg)	205 lb	Consult
77963	30 in x 31 in	2,500 lb (1,000 kg)	205 lb	Consult
77964	36 in x 37 in	1,000 lb (500 kg)	265 lb	Consult
77965	36 in x 37 in	2,500 lb (1,000 kg)	265 lb	Consult
Stainless Steel				
77967	30 in x 31 in	1,000 lb (500 kg)	205 lb	Consult
77968	30 in x 31 in	2,500 lb (1,000 kg)	205 lb	Consult
77969	36 in x 37 in	1,000 lb (500 kg)	265 lb	Consult
77970	36 in x 37 in	2,500 lb (1,000 kg)	265 lb	Consult
Stainless Steel with Stainless Steel Welded-Seal (IP67) Load Cells				
77971	30 in x 31 in	1,000 lb (500 kg)	205 lb	Consult
77972	30 in x 31 in	2,500 lb (1,000 kg)	205 lb	Consult
77973	36 in x 37 in	1,000 lb (500 kg)	265 lb	Consult
77974	36 in x 37 in	2,500 lb (1,000 kg)	265 lb	Consult
Portability Kits				
Kits include: Frame, Two swivel and two fixed zinc plated steel NSF approved wheels (75 lb max. load capacity), Indicator stand (suitable for IQ plus® 310, 320IS, 320IS plus, IQ plus® 355, IQ plus® 390, 420 plus, IQ plus® 590, IQ 700, UMC444 and UMC555)				
Mild Steel				
78021	For use with 30 in x 31 in scale		90 lb	Consult
78022	For use with 36 in x 37 in scale		100 lb	Consult
Stainless Steel				
78023	For use with 30 in x 31 in scale		90 lb	Consult
78024	For use with 36 in x 37 in scale		100 lb	Consult
Hinged Access Ramps: For use with portability kit				
Mild Steel				
78015	29.25 in x 12 in (sold individually)		25 lb	Consult
78016	35.25 in x 12 in (sold individually)		30 lb	Consult
Stainless Steel				
78017	29.25 in x 12 in (sold individually)		25 lb	Consult
78018	35.25 in x 12 in (sold individually)		30 lb	Consult